

## Electronic Damper Actuators Non-Spring Return

### Easily Replaces:

- Belimo CM Series



### 20 lb.-in. Torque

- 24 Vac/dc, 2-Position (Open/Closed) Control
- 24 Vac/dc, Floating Control
- 24 Vac/dc, 2 to 10 Vdc/10 to 2 Vdc, (Modulating) Control



GSD Series Non-Spring Return  
Direct Coupled Electronic Damper Actuator.

### Description

The OpenAir GSD Series direct-coupled, non-spring return rotary electronic damper actuators are 24 Vac/dc rated and available in 2-position, floating, and modulating [0(2) to 10 Vdc or 10 to 0(2) Vdc] control.

### Features

- Pre-cabled
- Plenum rated models available
- Optional built-in auxiliary switches with fixed switch points at 5° and 85° rotation
- 30-second run time
- Signal inversion capability on modulating type [0(2) to 10 Vdc or 10 to 0(2) Vdc]
- Small footprint for installation flexibility
- UL and cUL listed; CE certified
- Approved for installation in plenum areas by Underwriters Laboratories, Inc. per UL 2043.
- Low voltage models are 24 Vac/dc compatible
- 100 to 240 Vac models available
- Fixed Dual End Switches
  - 24 Vac to 250 Vac/12 to 30 Vdc
  - 6A resistive/2A inductive @ AC
  - 4A resistive/2A inductive @ 30 Vdc
  - 0.8A resistive, 0.5A inductive @ 60 Vdc
- 1/2" NPT conduit

### Applications

The small footprint and torque make this actuator ideal for VAV boxes, small HVAC dampers, or residential zone dampers.

B-23

Damper Actuators

## Specifications

<b>Operating Voltage</b>	
GSD1x.....	24 Vac/dc ±20%
GSD3x.....	100 to 240 Vac ±10%
<b>Frequency</b> ..... 50/60 Hz	
<b>Power Consumption</b>	
GSD14x (24 Vac/dc 60 Hz)	
Running .....	2.2 VA (1.2 W)
Holding .....	1.0 VA (0.5 W)
GSD14x (24 Vac/dc 60 Hz)	
Running .....	2.4 VA (1.4 W)
Holding .....	1.2 VA (0.7 W)
GSD14x (24 Vac/dc 60 Hz)	
Running .....	4.5 VA (1.8 W)
Holding .....	2.4 VA (0.9 W)
<b>Function</b>	
Torque .....	20 lb.-in. (2 Nm)
Runtime for 90° .....	30 sec.
Nominal Angle of Rotation.....	90°
<b>Auxiliary Switches</b> ..... Fixed at 5° and 85°	
AC Rating.....	24 to 250 Vac
	AC 6A resistive
	AC 2A General Purpose
DC Rating (Standard/Plenum Cable).....	12 to 30 Vdc
	DC 2A

<b>Shaft Size</b> .....	3/8 to 1/2-in. (8 to 13 mm) round ●
	1/4 to 7/16-in. (6 to 11 mm) square ■
<b>Min. Shaft Length</b> .....	3/4-in (20 mm)
<b>Housing Enclosure</b> .....	NEMA 1
<b>Material</b> .....	Plenum rated rugged plastic
<b>Ambient Temperature</b>	
Operating.....	-25°F to 130°F (-32°C to 55°C)
Storage and Transport.....	-25°F to 158°F (-32°C to 70°C)
<b>Ambient Humidity</b> .....	95% RH, non-condensing
<b>Agency Approvals</b> .....	
	UL listed per UL 60730,
	cUL listed to CSA C22.2 N. 24-93;
	CE certified
120 through 240 Vac .....	EMC and Low Voltage Directives
<b>Pre-Cabled Connection</b> .....	AWG 18
<b>Cable Length</b> .....	3 ft. (0.9m)
<b>Dimensions</b> .....	
	5.46" H x 2.83" W x 2.45" D
	(138.8 mm H x 72 mm W x 62.5 mm D)
<b>Shipping Weight</b> .....	1.54 lbs. (0.55 kg)

## Product Ordering

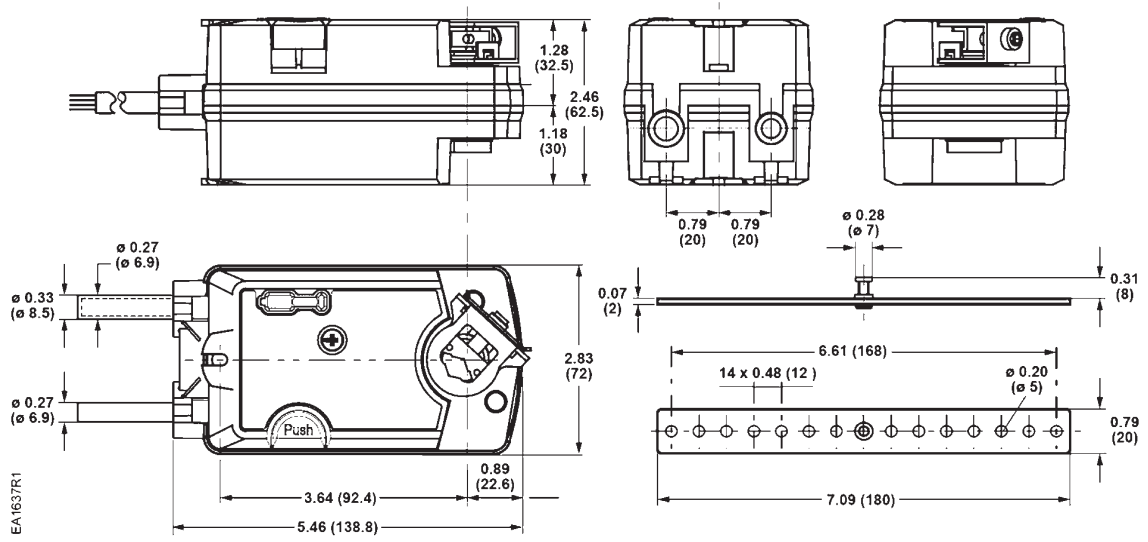
B-24

Damper Actuators

Control Signal	Cabling	Part No.	
		Standard	Aux. Switch
2-position/Floating, 24 Vac/dc	Plenum	<b>GSD141.1P</b>	<b>GSD146.1P</b>
2-position/Floating, 100 to 240 Vac	Appliance	<b>GSD341.1U</b>	<b>GSD346.1U</b>
0 to 10 Vdc or 2 to 10 Vdc Modulating 24 Vac/dc	Plenum	<b>GSD161.1P</b>	<b>GSD166.1P</b>

# Dimensions

## GSD Series Actuators with Mounting Bracket



Dimensions shown in inches (mm).